

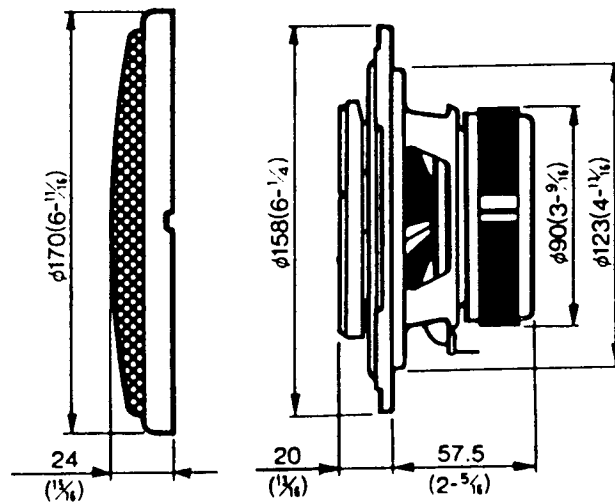
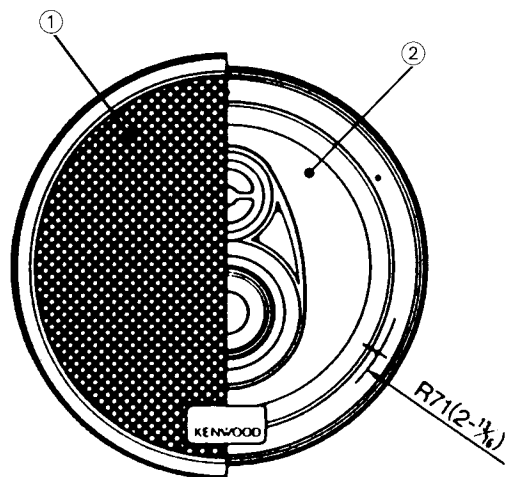
KFC-HQ160

SERVICE MANUAL

KENWOOD

©1990-11 PRINTED IN JAPAN
B51-6249-00(T) 1430

EXTERNAL VIEW



Unit: mm (inch)

SPECIFICATIONS

Speakers	
Woofer.....	16cm (6in) Water Proof P.P. Cone Type 330g (11.6 oz) Magnet
Mid-Range	4cm (1-9/16in) Film Cone Type
Tweeter.....	2.2cm (7/8in) Balanced Dome Type
Peak Power.....	150 Watts
Frequency Response.....	35Hz ~ 22,000Hz
Sensitivity.....	90 dB/W at 1m
Impedance.....	4 Ohms
Weight Per Speaker With Grille.....	1.28kg (2lb 13 oz)/Pc.

(KENWOOD follows a policy of continuous advancements in development. For this reason specifications may be changed without notice.)

PARTS LIST

★ New parts

Parts without **Parts No.** are not supplied.

Les articles non mentionnés dans le **Parts No.** ne sont pas fournis.

Teile ohne **Parts No.** werden nicht geliefert.

Ref No.	New Parts	Parts No.	Description
①	★	B06-0439-08	Grille ass'y
	★	E30-5058-08	Cord set
		N99-1086-08	Screw set
②	★	T15-0167-08	Speaker